



|                     |   |
|---------------------|---|
| <b>Product Name</b> | GAOTek Transceiver  |
| <b>Product SKU</b>  | GAOTek-CST-205  |
| <b>Product URL</b>  | <a href="https://gaotek.com/product/gaotek-transceiver-12/">https://gaotek.com/product/gaotek-transceiver-12/</a> |

**Contact us: [sales@gaotek.com](mailto:sales@gaotek.com)**

Based in New York City & Toronto, GAO Tek Inc. is ranked as one of the top 10 global B2B technology suppliers. GAO ships overnight within the U.S. & Canada & provides top-notch support thanks to its 4 decades of experience.



## CONTENTS

|  |    |
|--|----|
| 1.Product Features:.....                             | 3  |
| 2.Applications: .....                                | 3  |
| 3.Standard:.....                                     | 3  |
| 4.Description:.....                                  | 4  |
| 5.Product Selection:.....                            | 4  |
| Notes: .....   | 7  |
| 10. Electrical Characteristics: .....                | 8  |
| Notes: .....   | 8  |
| 11. Pin Diagram:.....                                | 9  |
| Notes: .....   | 11 |
| 12. Digital Diagnostic Functions: .....              | 12 |
| 13. Host - Transceiver Interface Block Diagram:..... | 13 |



## GAOTek Transceiver

### 1.Product Features:

- Up to 11.3Gbps Data Links
- Up to 80km transmission on SMF
- DWDM EML Laser and APD receiver
- Metal enclosure, for lower EMI
- 2-wire interface with integrated Digital Diagnostic monitoring
- Hot-pluggable SFP+ footprint
- Specifications compliant with SFF 8472
- Compliant with SFP+ MSA with LC connector
- Single 3.3V power supply
- Case operating temperature range:0°C to 70°C
- Power dissipation < 1.5W

### 2.Applications:

- 10G Ethernet
- 10G SONET/SDH, OTU2/2e and 10G FC

### 3.Standard:

- Compliant to SFF-8431
- RoHS Compliant.



#### **4.Description:**

The VPPD-XGDZR-CXX-80 transceivers include an APD diode and temperature stabilized DFB-EML transmitter. Digital diagnostic functions are available via an I2C. This module is designed for single mode fibre and operates at a nominal wavelength of 100GHz ITU Grid, C Band DWDM wavelength.

#### **5.Product Selection:**

VPPD-XGDZR-CXX-80



### 6. C-band $\lambda$ c Wavelength Guide Pin Descriptions :

| Channel | Wavelength (nm)                           | Frequency (THZ) | Channel | Wavelength (nm) | Frequency (THZ) |
|---------|---|-----------------|---------|-----------------|-----------------|
| C17     | 1563.86                                   | 191.70          | C39     | 1546.12         | 193.9           |
| C18     | 1563.05                                   | 191.80          | C40     | 1545.32         | 194.0           |
| C19     | 1562.23                                   | 191.90          | C41     | 1544.53         | 194.1           |
| C20     | 1561.42                                   | 192.00          | C42     | 1543.73         | 194.2           |
| C21     | 1560.61                                   | 192.10          | C43     | 1542.94         | 194.3           |
| C22     | 1559.79                                   | 192.20          | C44     | 1542.14         | 194.4           |
| C23     | 1558.98                                   | 192.30          | C45     | 1541.35         | 194.5           |
| C24     | 1558.17                                   | 192.40          | C46     | 1540.56         | 194.6           |
| C25     | 1557.36                                   | 192.50          | C47     | 1539.77         | 194.7           |
| C26     | 1556.55                                   | 192.60          | C48     | 1538.98         | 194.8           |
| C27     | 1555.75                                   | 192.70          | C49     | 1538.19         | 194.9           |
| C28     | 1554.94                                   | 192.80          | C50     | 1537.40         | 195.0           |
| C29     | 1554.13                                   | 192.90          | C51     | 1536.61         | 195.1           |
| C30     | 1553.33                                   | 193.00          | C52     | 1535.82         | 195.2           |
| C31     | 1552.52                                   | 193.10          | C53     | 1535.04         | 195.3           |
| C32     | 1551.72                                   | 193.20          | C54     | 1534.25         | 195.4           |
| C33     | 1550.92                                   | 193.30          | C55     | 1533.47         | 195.5           |
| C34     | 1550.12                                   | 193.40          | C56     | 1532.68         | 195.6           |
| C35     | 1549.32                                   | 193.50          | C57     | 1531.90         | 195.7           |
| C36     | 1548.51                                   | 193.60          | C58     | 1531.12         | 195.8           |
| C37     | 1547.72                                   | 193.70          | C59     | 1530.33         | 195.9           |
| C38     | 1546.92                                   | 193.80          | C60     | 1529.55         | 196.0           |
| Non-ITU | Peak wavelength between 1528.77nm-1563.86 |                 | C61     | 1528.77         | 196.1           |

Based in New York City & Toronto, GAO Tek Inc. is ranked as one of the top 10 global B2B technology suppliers. GAO ships overnight within the U.S. & Canada & provides top-notch support thanks to its 4 decades of experience.



### 7. Absolute Maximum Ratings:

| Parameter            | Symbol | Min.    | Typ. | Max.    | Unit |
|----------------------|--------|---------|------|---------|------|
| Storage Temperature  | Ts     | -40     | -    | 85      | °C   |
| Relative Humidity    | RH     | 5       | -    | 95      | %    |
| Power Supply Voltage | VCC    | -0.3    | -    | 4       | V    |
| Signal Input Voltage |        | Vcc-0.3 | -    | Vcc+0.3 | V    |

### 8. Recommended Operating Conditions:

| Parameter                  | Symbol            | Min. | Typ.    | Max. | Unit | Note             |             |
|----------------------------|-------------------|------|---------|------|------|------------------|-------------|
| Case Operating Temperature | Tcase             | 0    | -       | 70   | °C   | Without air flow |             |
| Power Supply Voltage       | VCC               | 3.14 | 3.3     | 3.47 | V    |                  |             |
| Power Supply Current       | ICC               | -    |         | 450  | mA   |                  |             |
| Data Rate                  | BR                |      | 10.3125 | 11.3 | Gbps |                  |             |
| Transmission Distance      | TD                |      | -       | 80   | km   |                  |             |
| Coupled fiber              | Single mode fiber |      |         |      |      |                  | 9/125um SMF |

Based in New York City & Toronto, GAO Tek Inc. is ranked as one of the top 10 global B2B technology suppliers. GAO ships overnight within the U.S. & Canada & provides top-notch support thanks to its 4 decades of experience.



### 9. Optical Characteristics :

| Parameter                          | Symbol                             | Min             | Typ | Max             | Unit | NOTE |
|------------------------------------|------------------------------------|-----------------|-----|-----------------|------|------|
| <b>Transmitter</b>                 |                                    |                 |     |                 |      |      |
| Average Optical Power              | P <sub>out</sub>                   | -1              |     | 4               | dBm  | 1    |
| Optical Wavelength                 | $\lambda_c$                        | $\lambda_c-0.1$ |     | $\lambda_c+0.1$ | nm   |      |
| Center Wavelength Spacing          |                                    |                 | 100 |                 | GHz  | 2    |
| Optical Extinction Ratio           | ER                                 | 6.0             |     |                 | dB   |      |
| Transmitter and Dispersion Penalty | TDP                                |                 |     | 3.0             | dB   |      |
| Side mode Suppression ratio        | SMS<br>R                           | 30              |     |                 | dB   |      |
| Average Launch Power               | P <sub>off</sub>                   |                 |     | -30             | dBm  |      |
| Output Eye Mask                    | <b>Compliant with IEEE 802.3ae</b> |                 |     |                 |      |      |

|                                   |                  |          |  |      |     |   |
|-----------------------------------|------------------|----------|--|------|-----|---|
| <b>Receiver</b>                   |                  |          |  |      |     |   |
| Rx Sensitivity                    | RSEN<br>S        |          |  | -24  | dBm | 3 |
| Input Saturation Power (Overload) | P <sub>sat</sub> | -6       |  |      | dBm |   |
| Wavelength Range                  | $\lambda_C$      | 148<br>0 |  | 1580 | nm  |   |
| LOS De-Assert                     | LOSD             |          |  | -26  | dBm |   |
| LOS Assert                        | LOSA             | -35      |  |      | dBm |   |
| LOS Hysteresis                    |                  | 0.5      |  |      | dB  |   |

#### Notes:

1. Output power is power coupled into a 9/125 mm single-mode fiber.
2. Corresponds to approximately 0.8 nm.
3. Measured with a PRBS 2<sup>31</sup> -1 test pattern, @10.325Gb/s, BER<10<sup>-12</sup>.

Based in New York City & Toronto, GAO Tek Inc. is ranked as one of the top 10 global B2B technology suppliers. GAO ships overnight within the U.S. & Canada & provides top-notch support thanks to its 4 decades of experience.



### 10. Electrical Characteristics:

| Parameter                     | Symb<br>ol         | Min                  | Typ | Max                  | Unit | NOTE |
|-------------------------------|--------------------|----------------------|-----|----------------------|------|------|
| Supply Voltage                | Vcc                | 3.14                 | 3.3 | 3.46                 | V    |      |
| Supply Current                | Icc                |                      |     | 450                  | mA   |      |
| Transmitter                   |                    |                      |     |                      |      |      |
| Input differential impedance  | ohm                |                      | 100 |                      | Ω    | 1    |
| Differential data input swing | V <sub>in,pp</sub> | 120                  |     | 820                  | mV   |      |
| Transmit Disable Voltage      | VD                 | V <sub>cc</sub> -1.3 |     | V <sub>cc</sub>      | V    |      |
| Transmit Enable Voltage       | VEN                | V <sub>ee</sub>      |     | V <sub>ee</sub> +0.8 | V    | 2    |
| TX_FAULT Voltage-High         |                    | V <sub>cc</sub> -1.3 |     | V <sub>cc</sub>      | V    |      |
| TX_FAULT Voltage-Low          |                    | V <sub>ee</sub>      |     | V <sub>ee</sub> +0.8 | V    |      |
| Transmit Disable Assert Time  |                    |                      |     | 10                   | us   |      |

| Receiver                       |                     |                      |  |                      |    |   |
|--------------------------------|---------------------|----------------------|--|----------------------|----|---|
| Differential data output swing | V <sub>out,pp</sub> | 350                  |  | 850                  | mV | 3 |
| Data output rise time          | t <sub>r</sub>      | 30                   |  |                      | ps | 4 |
| Data output fall time          | t <sub>f</sub>      | 30                   |  |                      | ps | 4 |
| LOS De-assert                  |                     | V <sub>cc</sub> -1.3 |  | V <sub>cc</sub> HOST | V  | 5 |
| LOS Assert                     |                     | V <sub>ee</sub>      |  | V <sub>ee</sub> +0.8 | V  | 5 |

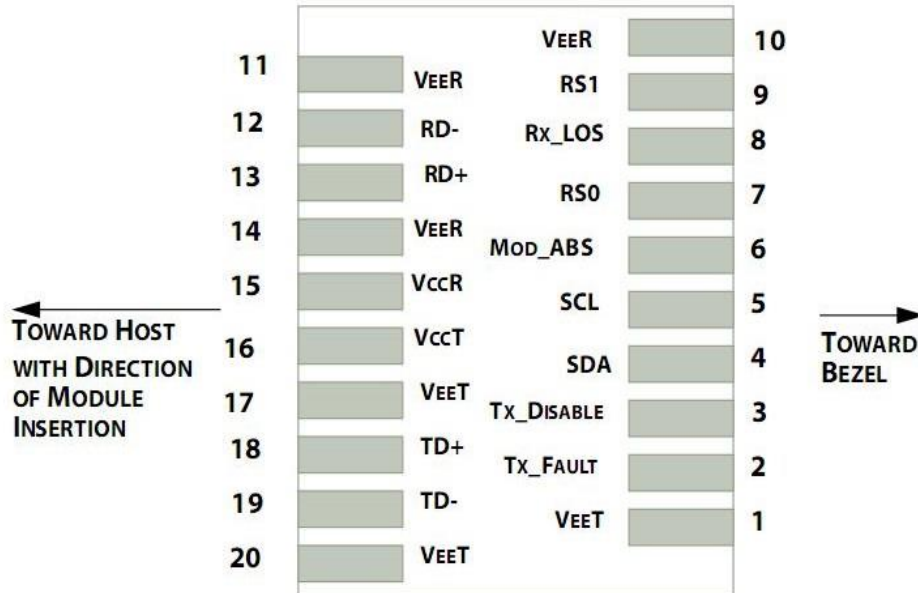
**Notes:**

1. Connected directly to TX data input pins. AC coupled thereafter.
2. Or open circuit.
3. Into 100 ohms differential termination.
4. These are unfiltered 20-80% values
5. Loss Of Signal is LVTTTL. Logic 0 indicates normal operation; logic 1 indicates no signal detected.

Based in New York City & Toronto, GAO Tek Inc. is ranked as one of the top 10 global B2B technology suppliers. GAO ships overnight within the U.S. & Canada & provides top-notch support thanks to its 4 decades of experience.



### 11. Pin Diagram:



Pin out of Connector Block on Host Board



### 11.1. Pin Description:

| Pin | Symbol     | Name/Description   | NOTE     |
|-----|------------|--|----------|
| 1   | V<br>EET   | Transmitter Ground (Common with Receiver Ground)               | 1        |
| 2   | T<br>FAULT | Transmitter Fault.   | 2        |
| 3   | T<br>DIS   | Transmitter Disable. Laser output disabled on high or open.    | 3        |
| 4   | SDA        | 2-wire Serial Interface Data Line                              | 4        |
| 5   | SCL        | 2-wire Serial Interface Clock Line                             | 4        |
| 6   | MOD_ABS    | Module Absent. Grounded within the module                      | 4        |
| 7   | RS0        | Rate Select 0  | 5        |
| 8   | LOS        | Loss of Signal indication. Logic 0 indicates normal operation. | 6        |
| 9   | RS1        | No connection required   | 1        |
| 10  | V<br>EER   | Receiver Ground (Common with Transmitter Ground)               | 1        |
| 11  | V<br>EER   | Receiver Ground (Common with Transmitter Ground)               | 1        |
| 12  | RD-        | Receiver Inverted DATA out. AC Coupled                         |          |
| 13  | RD+        | Receiver Non-inverted DATA out. AC Coupled                     |          |
| 14  | V<br>EER   | Receiver Ground (Common with Transmitter Ground)               | 1        |
| 15  | V<br>CCR   | Receiver Power Supply  |          |
| 16  | V<br>CCT   | Transmitter Power Supply                                       |          |
| 17  | V<br>EET   | Transmitter Ground(Common with Receiver Ground)                | 1        |
| 18  | TD+        | Transmitter Non-Inverted DATA in. AC Coupled.                  |          |
| 19  | TD-        | Transmitter Inverted DATA in. AC Coupled.                      |          |
| 20  | V<br>EET   | <b>Transmitter Ground (Common with Receiver Ground)</b>        | <b>1</b> |

Based in New York City & Toronto, GAO Tek Inc. is ranked as one of the top 10 global B2B technology suppliers. GAO ships overnight within the U.S. & Canada & provides top-notch support thanks to its 4 decades of experience.



### Notes:

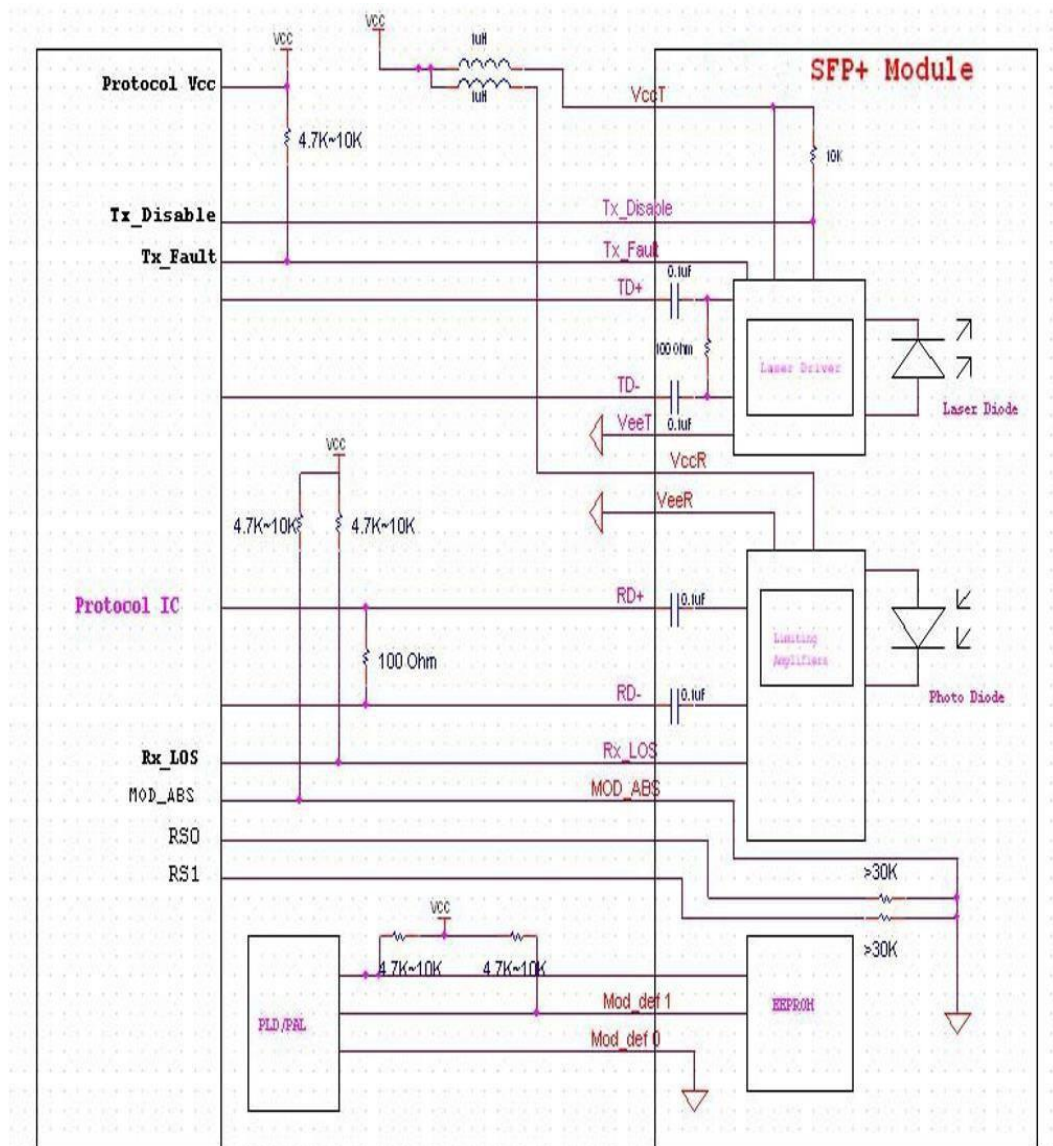
1. Circuit ground is internally isolated from chassis ground.
2.  $T_{\text{FAULT}}$  is an open collector/drain output, which should be pulled up with a 4.7k – 10k Ohms resistor on the host board if intended for use. Pull up voltage should be between 2.0V to  $V_{\text{CC}} + 0.3\text{V}$ . A high output indicates a transmitter fault caused by either the TX bias current or the TX output power exceeding the preset alarm thresholds. A low output indicates normal operation. In the low state, the output is pulled to  $<0.8\text{V}$ .
3. Laser output disabled on  $T_{\text{DIS}} > 2.0\text{V}$  or open, enabled on  $T_{\text{DIS}} < 0.8\text{V}$ .
4. Should be pulled up with 4.7k $\Omega$ - 10k $\Omega$  host board to a voltage between 2.0V and 3.6V. MOD\_ABS pulls line low to indicate module is plugged in.
5. Internally pulled down per SFF-8431 Rev 4.1.
6. LOS is open collector output. It should be pulled up with 4.7k $\Omega$  – 10k $\Omega$  on host board to a voltage between 2.0V and 3.6V. Logic 0 indicates normal operation; logic 1 indicates loss of signal.



## 12. Digital Diagnostic Functions:

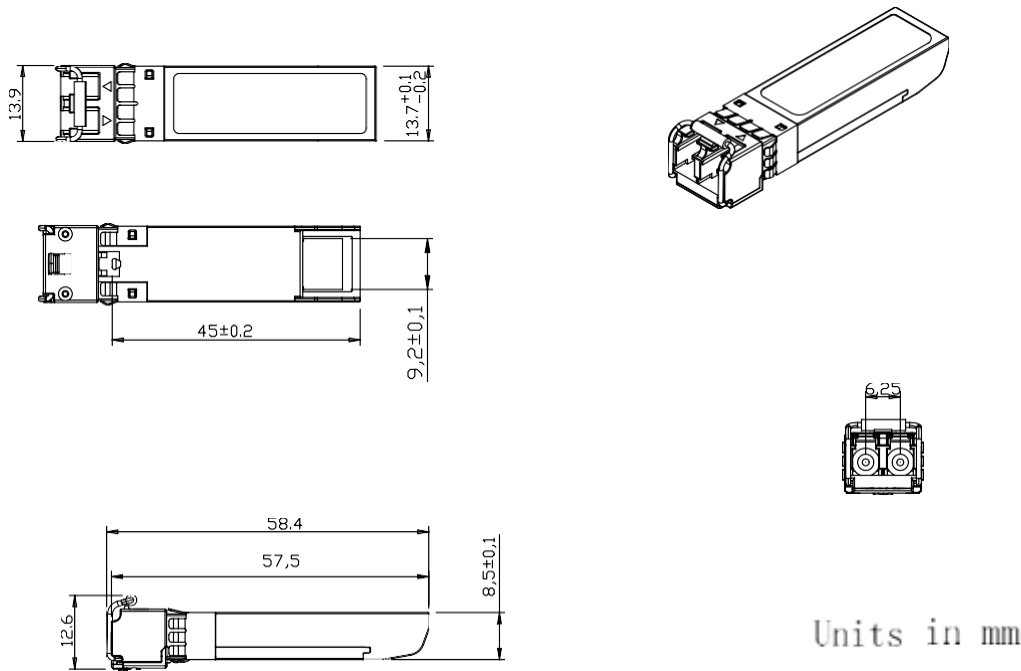
- VPPD-XGDZR-CXX-80 transceivers support the 2-wire serial communication protocol as defined in the SFP+ MSA.
- The standard SFP serial ID provides access to identification information that describes the transceiver's capabilities, standard interfaces, manufacturer, and other information.
- Additionally, VISINT SFP+ transceivers provide a unique enhanced digital diagnostic monitoring interface, which allows real-time access to device operating parameters such as transceiver temperature, laser bias current, transmitted optical power, received optical power and transceiver supply voltage. It also defines a sophisticated system of alarm and warning flags, which alerts end-users when particular operating parameters are outside of a factory set normal range.
- The SFP+ MSA defines a 256-byte memory map in EEPROM that is accessible over a 2-wire serial interface at the 8 bit address 1010000X (A0h). The digital diagnostic monitoring interface makes use of the 8 bit address 1010001X (A2h), so the originally defined serial ID memory map remains unchanged.
- The operating and diagnostics information is monitored and reported by a Digital Diagnostics Transceiver Controller (DDTC) inside the transceiver, which is accessed through a 2-wire serial interface. When the serial protocol is activated, the serial clock signal (SCL, Mod Def 1) is generated by the host. The positive edge clocks data into the SFP transceiver into those segments of the E2PROM that are not write-protected. The negative edge clocks data from the SFP transceiver. The serial data signal (SDA, Mod Def 2) is bi-directional for serial data transfer. The host uses SDA in conjunction with SCL to mark the start and end of serial protocol activation. The memories are organized as a series of 8-bit data words that can be addressed individually or sequentially.

### 13. Host - Transceiver Interface Block Diagram:



Based in New York City & Toronto, GAO Tek Inc. is ranked as one of the top 10 global B2B technology suppliers. GAO ships overnight within the U.S. & Canada & provides top-notch support thanks to its 4 decades of experience.

### 14. Outline Dimensions :



### 15. Regulatory Compliance:

| Feature                            | Reference                                       | Performance               |
|------------------------------------|---|---------------------------|
| Electrostatic discharge (ESD)      | IEC/EN 61000-4-2                                | Compatible with standards |
| Electromagnetic Interference (EMI) | FCC Part 15 Class B EN 55022 Class B(CISPR 22A) | Compatible with standards |
| Laser Eye Safety                   | FDA 21CFR 1040.10, 1040.11 IEC/EN 60825-1, 2    | Class 1 laser product     |
| Component Recognition              | IEC/EN 60950 , UL                               | Compatible with standards |
| ROHS                               | 2002/95/EC                                      | Compatible with standards |

Based in New York City & Toronto, GAO Tek Inc. is ranked as one of the top 10 global B2B technology suppliers. GAO ships overnight within the U.S. & Canada & provides top-notch support thanks to its 4 decades of experience.



|     |           |                           |
|-----|-----------|---------------------------|
| EMC | EN61000-3 | Compatible with standards |
|-----|-----------|---------------------------|

Based in New York City & Toronto, GAO Tek Inc. is ranked as one of the top 10 global B2B technology suppliers. GAO ships overnight within the U.S. & Canada & provides top-notch support thanks to its 4 decades of experience.