



Product Name	GAOTek Dual Band Enterprise WIFI
Product SKU	GAOTek-EWIFI-142
Product URL	https://gaotek.com/product/gaotek-dual-band-enterprise-wifi/

Based in New York City & Toronto, GAO Tek Inc. is ranked as one of the top 10 global B2B technology suppliers. GAO ships overnight within the U.S. & Canada & provides top-notch support thanks to its 4 decades of experience.



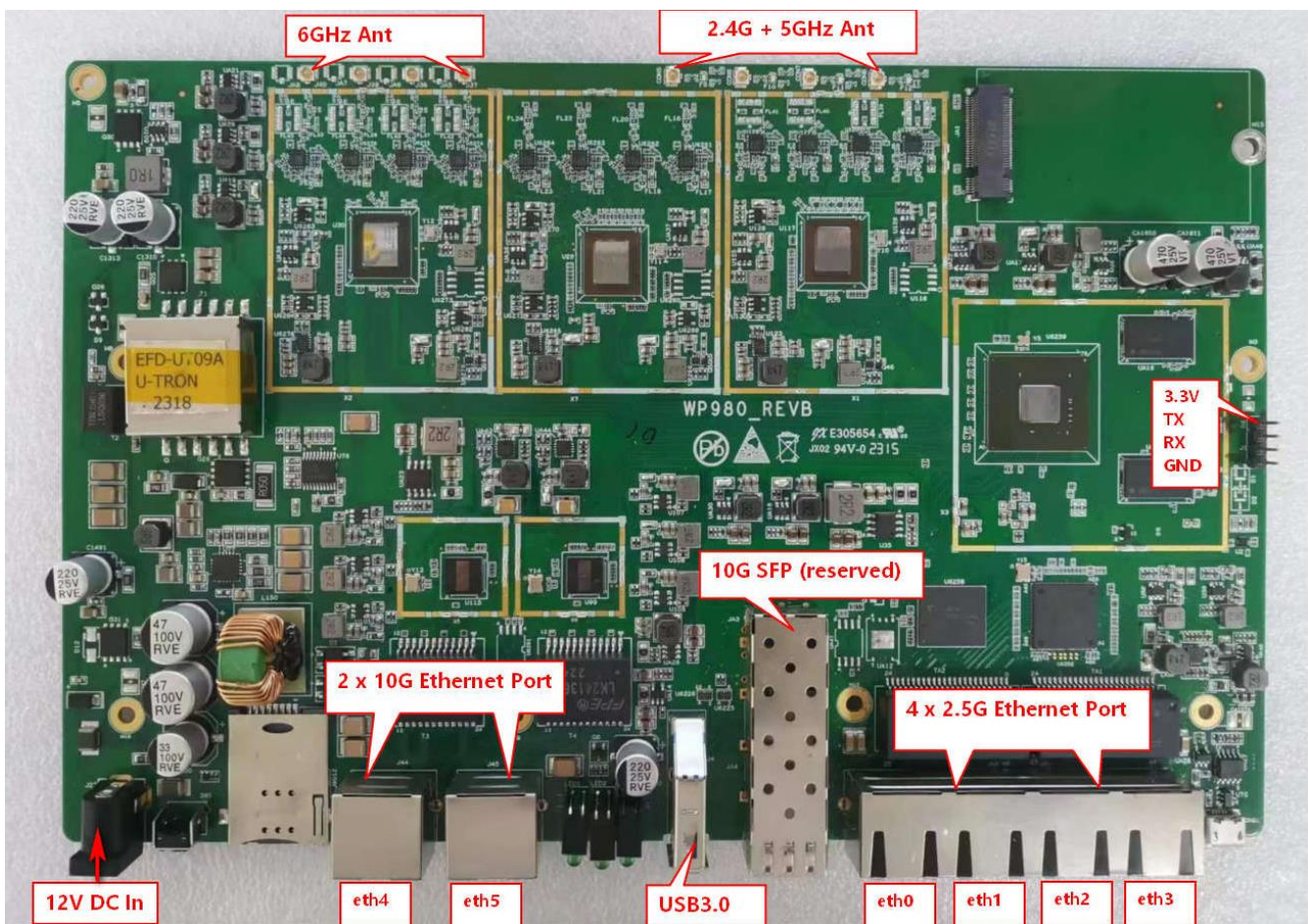
Contents

1. Product Introduction	3
2. Configure Network via CLI.....	4
2.1. Setup.....	4
2.2. Power on and Login	4
2.3. Configure LAN IP	5
2.4. Configure Wi-Fi AP Setting.....	5
2.5. Configure Wi-Fi Client Mode	10
3. Upgrade Firmware	12
3.1. In U-boot	12
3.2. In Linux	12

1. Product Introduction

Based on Qualcomm IPQ9574+QCN9274/6224 triple band concurrent WiFi solution, 2.4G 4x4 (max 1376Mbps), 5G 4x4 (max 5764Mbps), 6G 4x4 (max 5764Mbps). This document provides quick start guide for bring up basic wireless service via CLI.

Hardware Interface:



Based in New York City & Toronto, GAO Tek Inc. is ranked as one of the top 10 global B2B technology suppliers. GAO ships overnight within the U.S. & Canada & provides top-notch support thanks to its 4 decades of experience.

2. Configure Network via CLI

2.1. Setup

CLI is available via Telnet or serial port.

Preparation:

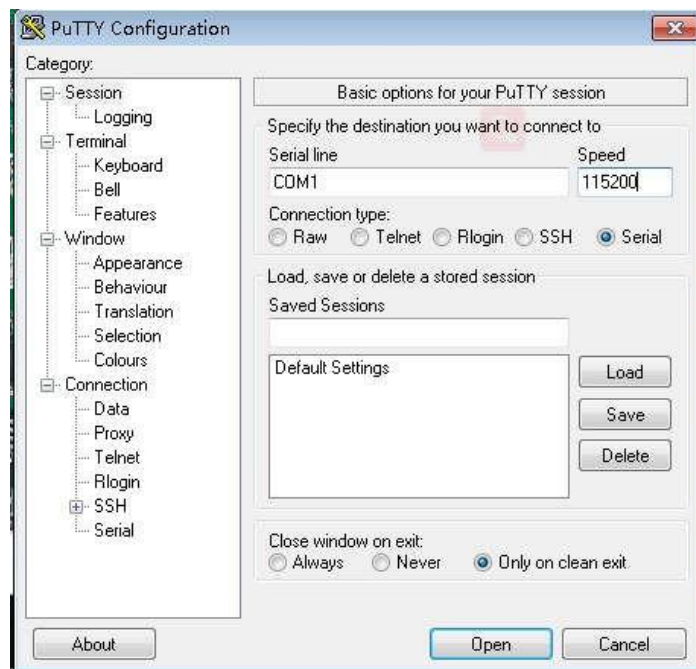
- 1) 12V 2A or PoE (802.3bt) power adapter.
- 2) The configuration for the serial UART Port:

Bits per second / Data bits / Parity / Stop bits / Flow control: 115200/8/None/1/None

2.2. Power on and Login

Power on by PoE adapter (either of Ethernet port).

Serial Console (putty.exe for example):





```
COM9 - PuTTY
BusyBox v1.33.2 (2022-10-22 08:57:38 UTC) built-in shell (ash)

      MM          NM          MMMMMMMM          M          M
      $MMMMM      MMMMM      MMMMMMMMMMMM      MMM      MMM
      MMMMMMMMM      MM MMMMM.      MMMMM:MMMMMM:      MMMM      MMMMM
MMMM= MMMMMM      MMM      MMMM      MMMMM      MMMM      MMMMMM      MMMM      MMMMM '
MMMM= MMMMM      MMMM      MM      MMMMM      MMMM      MMMM      MMMMMNMMMMMM
MMMM= MMMM      MMMMM      MMMMM      MMMM      MMMM      MMMM      MMMMMMMMM
MMMM= MMMM      MMMMMM      MMMMM      MMMM      MMMM      MMMMM      MMMMMMMMM
MMMM= MMMM      MMMM      ,      NMMMMMMMMM      MMMM      MMMM      MMMMMMMMMMMMM
MMMM= MMMM      MMMMMMM      MMMMMMMM      MMMM      MMMM      MMMM      MMMMMMM
MMMM= MMMM      MM      MMMM      MMMM      MMMM      MMMM      MMMM      MMMM
MMMM$ ,MMMMM      MMMMM      MMMM      MMM      MMMM      MMMMM      MMMM      MMMM
      MMMMMMMM:      MMMMMMMM      M      MMMMMMMMMMMMM      MMMMMMMM      MMMMMMMM
      MMMMMM      MMMMMN      M      MMMMMMMMM      MMMM      MMMM
      MMMM      M      MMMMMMMM      M      M
      M
-----
For those about to rock... OpenWrt 19.07-SNAPSHOT, r0+12684-3e0e0bb
-----
root@OpenWrt:/#
```

SSH/UART Login

2.3. Configure LAN IP

Configure LAN IP address: e.g. 192.168.1.1

```
uci set network.lan.proto=static
uci set
network.lan.ipaddr=192.168.1.1uci
commit
/etc/init.d/network restart
```

2.4. Configure Wi-Fi AP Setting

Wireless setting example for AP mode

Based in New York City & Toronto, GAO Tek Inc. is ranked as one of the top 10 global B2B technology suppliers. GAO ships overnight within the U.S. & Canada & provides top-notch support thanks to its 4 decades of experience.



2.4G+5G:

```
uci set wireless.wifi0.disabled=0
uci set
wireless.wifi0.hwmode=11beguci
set wireless.wifi0.htmode=HT40
uci set wireless.wifi0.channel=1
uci set wireless.@wifi-iface[0].device=wifi0

uci set wireless.@wifi-iface[0].mode=ap
uci set wireless.@wifi-iface[0].ssid=OpenWrt2G uci set

wireless.@wifi-iface[0].encryption=noneuci set
wireless.@wifi-iface[1].disablecoext=1 uci set
wireless.wifi1.disabled=0
uci set wireless.wifi1.hwmode=11axauci set

wireless.wifi1.htmode=HT160uci set

wireless.wifi1.channel=40

uci set wireless.@wifi-
iface[1].device=wifi1uci set wireless.@wifi-
iface[1].mode=ap
uci set wireless.@wifi-
iface[1].ssid=OpenWrt5G uci set
wireless.@wifi-iface[1].encryption=noneuci
commit wireless
wifi
```

For WIFI6E, WPA3 is must. AP example settings as bellow:

```
uci set wireless.wifi2.channel=auto
&&uci set
wireless.wifi2.hwmode=11bea &&
uci set
wireless.wifi2.htmode=HT320 &&
uci set wireless.wifi2.disabled=0
&& uci set wireless.wifi2.band=3
&&
uci set wireless.@wifi-iface[2].mode=ap &&
```

Based in New York City & Toronto, GAO Tek Inc. is ranked as one of the top 10 global B2B technology suppliers. GAO ships overnight within the U.S. & Canada & provides top-notch support thanks to its 4 decades of experience.



```
uci set wireless.@wifi-
iface[2].ssid=OpenWrt6G && uci set
wireless.@wifi-iface[2].encryption=ccmp &&uci
set wireless.@wifi-iface[2].key=1234567890 &&
uci set wireless.@wifi-iface[2].sae=1 &&
uci set wireless.@wifi-iface[2].sae_pwe=1 &&
uci set wireless.@wifi-iface[2].sae_password=1234567890
&&uci set wireless.@wifi-iface[2].ieee80211w=2 &&
uci commit &&wifi
```

Check supported channel list

```
iwlist ath0 channel iwlist
ath1 channel iwlist ath2 channel
```

For more detail information

```
wlanconfig ath0 list chan
wlanconfig ath1 list chan
wlanconfig ath2 list chan
```

Major Wireless Setting

Item	Option	Notes
wireless.@wifi-iface[x].mode	ap	
	sta	



wireless.@wifi-device[x].htmode	HT20, HT40, HT80, HT160	Bandwidth
wireless.@wifi-device[x].hwmode	11axa,11axg,11ng, 11ac, 11an	
wireless.@wifi-iface[x].encryption	none	Security is open
	psk2, psk, psk-mixed	Passphrase:
	psk2+tkip+ccmp	wireless.@wifi-iface[x].key=xxx
	psk+tkip+ccmp	xxxxx
	psk-mixed+tkip+ccm	
	p	
	psk2+ccmp,	
	psk+ccmp	
	psk-mixed+ccmp	
	psk2+tkip,	
	psk+tkip	
	psk-mixed+tkip	
	ccmp	
wireless.@wifi-iface[0].wds	1, 0	Enable WDS or not.

For sae on 5G VAP:

```
uci set wireless.@wifi-
iface[1].encryption=ccmpuci set
wireless.@wifi-iface[1].key=1234567890
uci set wireless.@wifi-iface[1].sae=1
uci add_list wireless.@wifi-
iface[1].sae_password=1234567890uci set
wireless.@wifi-iface[1].ieee80211w=2
```

Based in New York City & Toronto, GAO Tek Inc. is ranked as one of the top 10 global B2B technology suppliers. GAO ships overnight within the U.S. & Canada & provides top-notch support thanks to its 4 decades of experience.



uci commit wirelesswifi

For wpa2+sae on 5G VAP:

```
uci set wireless.@wifi-  
iface[1].encryption=psk2+ccmpuci set  
wireless.@wifi-iface[1].key=1234567890  
uci set wireless.@wifi-iface[1].sae=1  
uci add_list wireless.@wifi-  
iface[1].sae_password=1234567890uci set  
wireless.@wifi-iface[1].ieee80211w=2  
uci  
commit  
wireless  
wifi
```

For sae on 6G VAP:

```
uci set wireless.@wifi-  
iface[2].encryption=ccmpuci set  
wireless.@wifi-iface[2].key=1234567890  
uci set wireless.@wifi-iface[2].sae=1  
uci add_list wireless.@wifi-  
iface[2].sae_password=1234567890uci set  
wireless.@wifi-iface[2].ieee80211w=2  
uci commit wirelesswifi
```

NOTE:

By default, security should be SAE on 6GHz radio and other security isn't allowed.

Other Network Setting:

Use command “uci show network” and “uci show dhcp”.

Use command “uci set xxxx=yyyy && uci commit” to save setting.



iwconfig show VAP interface:

```
root@OpenWrt:/#
root@OpenWrt:/# iwconfig ath0
ath0      IEEE 802.11bgn  ESSID:"OpenWrt2G"
          Mode:Master  Frequency:2.437 GHz  Access Point: 00:03:7F:12:F0:F0
          Bit Rate:1.3764 Gb/s  Tx-Power:28 dBm
          RTS thr:off  Fragment thr:off
          Encryption key:off
          Power Management:off
          Link Quality=0/94  Signal level=-88 dBm  Noise level=-88 dBm (BDF averaged NF value in dBm)
          Rx invalid nwid:1680  Rx invalid crypt:0  Rx invalid frag:0
          Tx excessive retries:0  Invalid misc:0  Missed beacon:0

root@OpenWrt:/#
root@OpenWrt:/# iwconfig ath1
ath1      IEEE 802.11bgn  ESSID:"OpenWrt5G"
          Mode:Master  Frequency:5.2 GHz  Access Point: 00:03:7F:12:E7:E7
          Bit Rate:5.7648 Gb/s  Tx-Power:27 dBm
          RTS thr:off  Fragment thr:off
          Encryption key:off
          Power Management:off
          Link Quality=0/94  Signal level=-101 dBm  Noise level=-101 dBm (BDF averaged NF value in dBm)
          Rx invalid nwid:480  Rx invalid crypt:0  Rx invalid frag:0
          Tx excessive retries:0  Invalid misc:0  Missed beacon:0

root@OpenWrt:/#
```

2.5. Configure Wi-Fi Client Mode

Wireless setting for STA mode

2.4G

```
uci set wireless.wifi0.disabled=0
uci set wireless.wifi1.disabled=1
uci set wireless.wifi2.disabled=1
uci set
wireless.wifi1.hwmode=11bguci
set wireless.wifi1.htmode=auto
uci set
wireless.wifi1.channel=auto
uci set wireless.@wifi-iface[0].device=wifi0uci set
wireless.@wifi-iface[0].mode=sta

uci set wireless.@wifi-iface[0].extap=1
uci set wireless.@wifi-iface[0].disablecoext=1
uci set wireless.@wifi-
iface[0].ssid=OpenWrt2G uci set
wireless.@wifi-iface[0].encryption=noneuci
commit wireless
```

Based in New York City & Toronto, GAO Tek Inc. is ranked as one of the top 10 global B2B technology suppliers. GAO ships overnight within the U.S. & Canada & provides top-notch support thanks to its 4 decades of experience.



5G

```
uci set wireless.wifi0.disabled=1 uci set
wireless.wifi1.disabled=0 uci set
wireless.wifi2.disabled=1 uci set
wireless.wifi1.hwmode=11beauci set
wireless.wifi1.htmode=auto uci set
wireless.wifi1.channel=auto

uci set wireless.@wifi-
iface[1].device=wifi1uci set wireless.@wifi-
iface[1].mode=sta
uci set wireless.@wifi-iface[1].extap=1
uci set wireless.@wifi-
iface[1].ssid=OpenWrt5G uci set
wireless.@wifi-iface[1].encryption=noneuci
commit wireless
wifi
```

6G

```
uci set wireless.wifi0.disabled=1
uci set wireless.wifi1.disabled=1
uci set wireless.wifi2.disabled=0
uci set
wireless.wifi2.hwmode=11beauci
set wireless.wifi2.htmode=auto
uci set
wireless.wifi2.channel=auto
uci set wireless.@wifi-
iface[2].device=wifi2uci set
wireless.@wifi-iface[2].mode=sta
uci set wireless.@wifi-iface[2].extap=1
```

Based in New York City & Toronto, GAO Tek Inc. is ranked as one of the top 10 global B2B technology suppliers. GAO ships overnight within the U.S. & Canada & provides top-notch support thanks to its 4 decades of experience.



```
uci set wireless.@wifi-
iface[2].encryption=ccmpuci set
wireless.@wifi-iface[2].key=1234567890 uci
set wireless.@wifi-iface[2].sae=1
uci set wireless.@wifi-iface[2].sae_pwe=1
uci set wireless.@wifi-
iface[2].sae_password=1234567890uci set
wireless.@wifi-iface[2].ieee80211w=2
uci commit wireless

wifi
```

3. Upgrade Firmware

3.1. In U-boot

```
setenv machid 8040001
setenv bootargs 'console=ttyMSM0,115200n8
cnss2.enable_mlo_support=0'setenv ipaddr 192.168.1.3 && setenv
serverip 192.168.1.100
save
tftpboot nand-ipq9574-single.img && imgaddr=$fileaddr && source $imgaddr:script
```

3.2. In Linux

```
cd/tmp/&&tftp 192.168.11.00-g-rnand-ipq9574-single.img-lfw.img &&sysupgradefw.img
```

Contact us: sales@gaotek.com

Based in New York City & Toronto, GAO Tek Inc. is ranked as one of the top 10 global B2B technology suppliers. GAO ships overnight within the U.S. & Canada & provides top-notch support thanks to its 4 decades of experience.