



Product Name	GAOTek Industrial Smart Camera
Product SKU	GAOTek-SCA-120
Product URL	https://gaotek.com/product/gaotek-industrial-smart-camera/

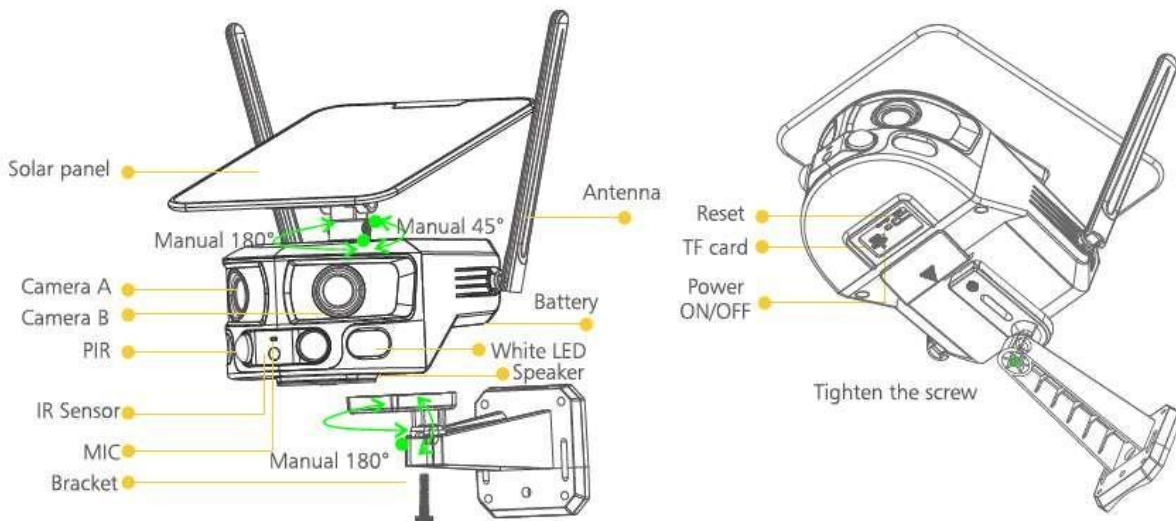


Contents

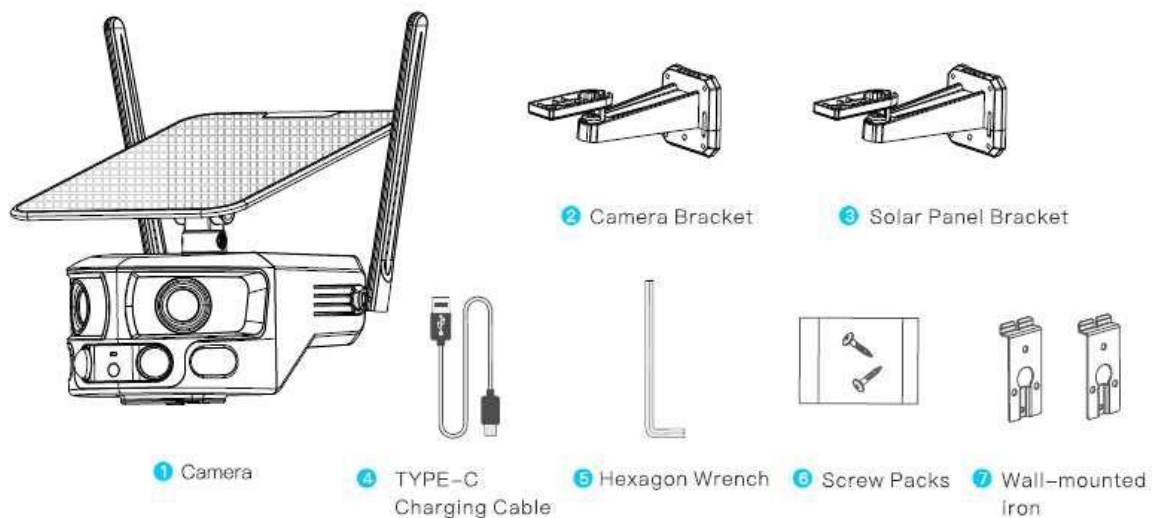
1. Product Overview	3
2. What's Included	3
3. Application Scenarios	4
4. Boot Instructions	5
5. Configuration and Addition of WiFi Devices	6
6. APP Homepage Instructions	9
7. Real-time Monitoring and Play back	12
8. Control Instructions	14
9. System Settings	16
10. Wall Mounted Installation Instructions	21
11. Ceiling Mounted Installation Instructions	22
12. Technical Analysis	23
13. About batteries and solar power	24



1. Product Overview



2. What's Included



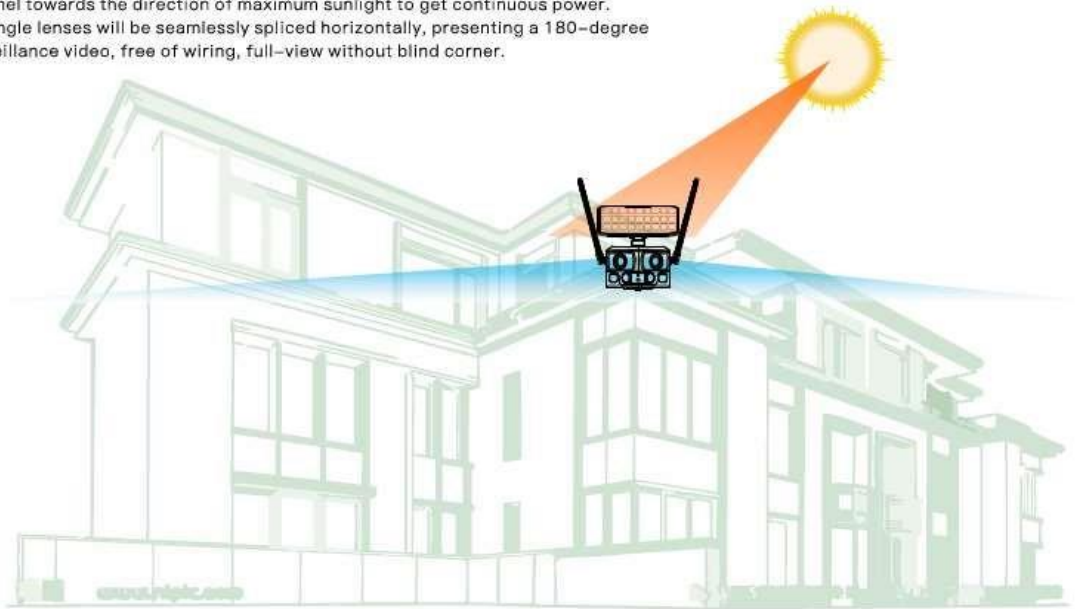


- Camera
- Camera Bracket
- Solar Panel Bracket
- TYPE-C Charging Cable
- Hexagon Wrench
- Screw Packs
- Wall-mounted iron

3. Application Scenarios

Put the solar panel towards the direction of maximum sunlight to get continuous power. The two wide-angle lenses will be seamlessly spliced horizontally, presenting a 180-degree panoramic surveillance video, free of wiring, full-view without blind corner.

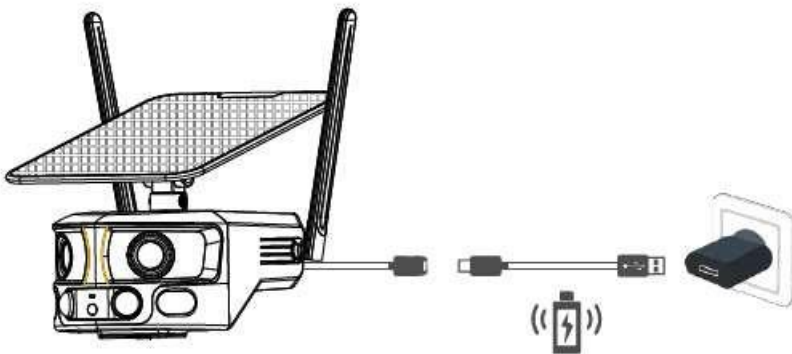
Put the solar panel towards the direction of maximum sunlight to get continuous power. The two wide-angle lenses will be seamlessly spliced horizontally, presenting a 180-degree panoramic surveillance video, free of wiring, full-view without blind corner.



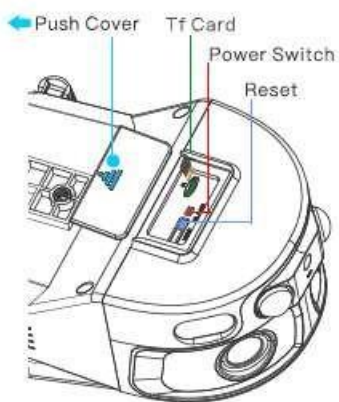


4. Boot Instructions

For a better use, charge the camera preferably for 10 hours before use.



Connect the solar charging cable, switch on the power, Tapping and holding the reset button for 5 seconds, ready to match the network.





5. Configuration and Addition of WiFi Devices

- Add Camera

Run the app, click the upper right corner "+" to add.



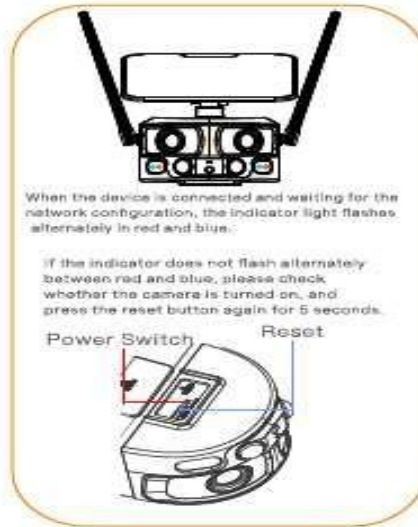
- Choose Network Type

Select the WiFi option on the left.



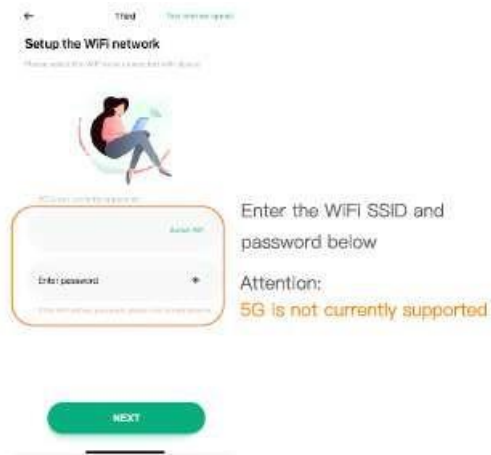
- Confirm Camera Status

Follow the prompts to determine whether the indicator light on the front of the camera is flashing alternately in red and blue. If the indicator light flashes red and blue alternately, just click "To connect".



- Enter Network Information

Click Switch WIFI to select your home WIFI SSID, and enter the password below. (In order to avoid Input errors, after the input is completed, you can click the eye pattern on the right to check whether the password is entered correctly).

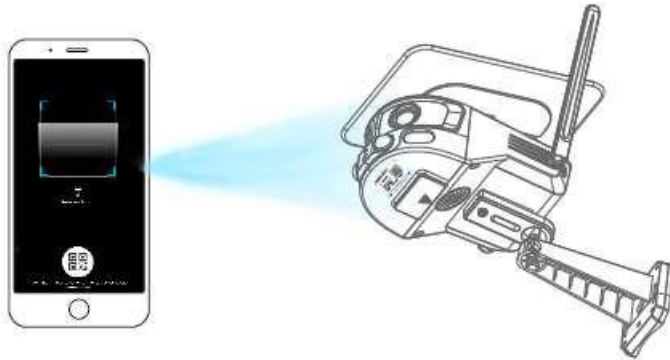


- Scan QR code to Add Devices

Scan the QR code of the camera body, and click "connect" after hearing the mobile phone scan prompt voice. The APP and the camera will be automatically connected to network.



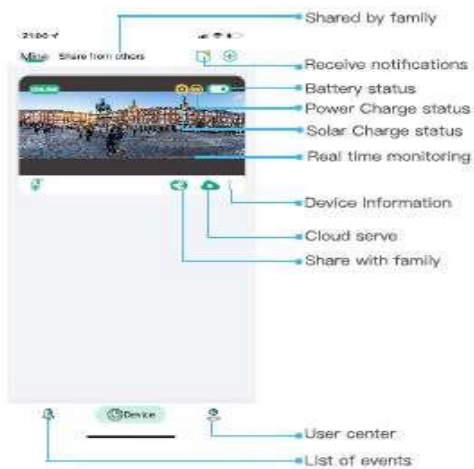
Notice: Versions below iOS11 require manual connection to the camera hotspot network, please follow the APP prompts, go to the phone settings interface to connect to the hotspot starting with GAOTek XXXXX, then return to the APP Interface to configure the network



6.APP Homepage Instructions

- Homepage Function

Introduction of camera's functions in the home page



- Sharing Function

After your family has registered the account, click to share with them



- Do not Disturb Mode

At the top of the page Enter the Do Not Disturb mode setting. When PIR is triggered, you will get the notifications in the real time. If you do not want to receive notifications, you can turn on Do Not Disturb mode





- Viewing the Event List

Click "Event" at the bottom of the page to enter the event list to view the alarm list of the device.



- Cloud Storage Service

Click at the homepage to purchase the cloud storage packages.



- Manage Account Information



Click "Mine" at the bottom of the page to enter the APP page, you can modify the login password and manage all functions.



7.Real-time Monitoring and Play back



- Video Playback of Memory Card

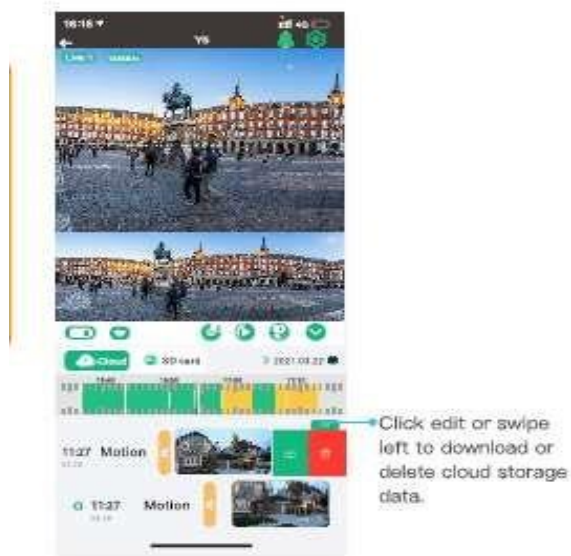


- Select the playback time, you can adjust the precision of the time axis.
- Playback date selection
- Recording event list

1. The TF card is installed in the basic cover
2. Insertion direction is contact points upward
3. If the card is inserted, but there are no videos please enter the storage settings to format the memory card



- Video Playback of Cloud Storage



8. Control Instructions

- PTZ Control



- System Settings

Click to enter the camera quick settings.

Click to enter system settings, change the camera's display mode and other system settings.




9. System Settings

- Memory card Settings

Click to enter memory card settings, you can check its usage status and format.




Click  to enter memory card settings, you can check its usage status and format.



- Alert Push Settings

Click to enter the push settings of the camera, select the information to be accepted according to your needs.

Click  to enter the push settings of the camera, select the information to be accepted according to your needs.





- Detection Settings

Click to enter camera motion detection settings, you can set the sensitivity and detection distance adjustment.


Click to enter camera motion detection settings, you can set the sensitivity and detection distance adjustment.





- Power Consumption

Click to enter power management, select the use mode according to the environment and user needs, which can better manage the use of the battery

Click  to enter power management, select the use mode according to the environment and user needs, which can better manage the use of the battery.



Low power protection:

It is recommended to turn on this function. When the power of the camera is lower than 10%, the camera will automatically turn off PIR and other power-consuming functions.



Normal mode:

It is the most energy-saving and efficient working mode. When the mobile phone is not remotely monitored, the camera is in standby mode. When a human body passes by, it will automatically activate the alarm and video record and push to the mobile APP at the same time.



Adaptive mode:

When the power is more than 50%, it will start recording at full time. If lower than 45%, it will work on standby.



All time mode:

The camera is working at all times, please make sure to connect the power supply to charge in this mode.

Low power protection:

It is recommended to turn on this function. When the power of the camera is lower than 10%, the camera will automatically turn off PIR and other power-consuming functions.

Normal mode:

It is the most energy-saving and efficient working mode. When the mobile phone is not remotely monitored, the camera is in standby mode. When a human body passes by, it will automatically activate the alarm and video record and push to the mobile APP at the same time.

Adaptive mode:

When the power is more than 50%, it will start recording at full time. If lower than 45%, it will work on standby.




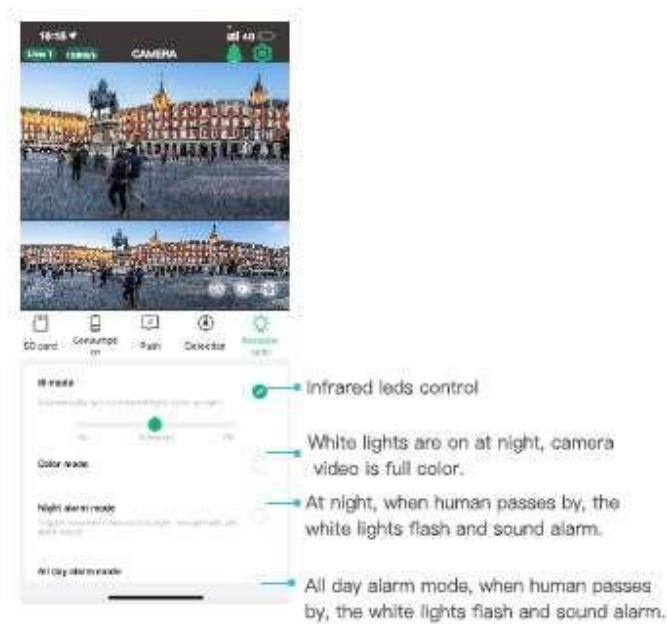
All time mode:

The camera is working at all times, please make sure to connect the power supply to charge in this mode.

- Sound & light settings

Click to enter camera sound and light settings, setting working mode of infrared led, white lights and alarm.

Click  to enter camera sound and light settings, setting working mode of Infrared led, white lights and alarm.





10. Wall Mounted Installation Instructions

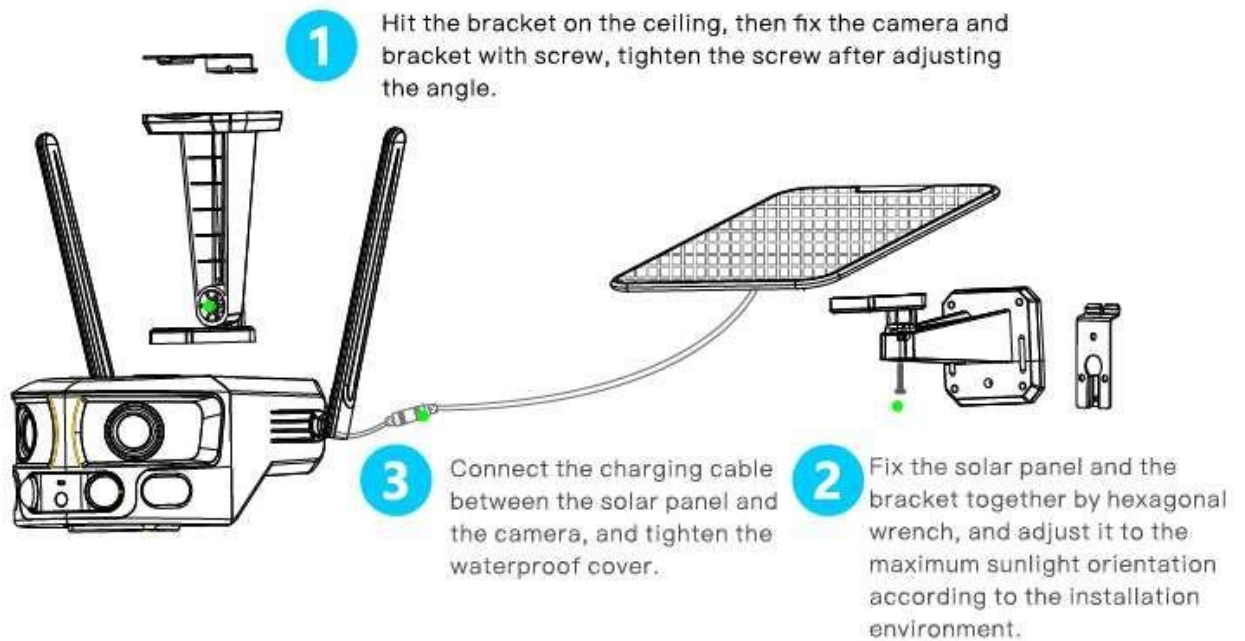


The image stitching node of the dual lens is 2.5 meters away from the camera, Please pay attention when installing.

- Hit the bracket on the wall, then fix the camera and bracket with screw, tighten the screw after adjusting the angle.
- Fix the solar panel and the bracket together by hexagonal wrench, and adjust it to the maximum sunlight orientation according to the installation environment.



11.Ceiling Mounted Installation Instructions



- Hit the bracket on the ceiling, then fix the camera and bracket with screw, tighten the screw after adjusting the angle.
- Fix the solar panel and the bracket together by hexagonal wrench, and adjust it to the maximum sunlight orientation according to the installation environment.
- Connect the charging cable between the solar panel and the camera, and tighten the waterproof cover



12. Technical Analysis

1. Q: Why doesn't the Wi-Fi name appear when I connect to Wi-Fi?

A: On IOS devices with IOS11 and above, you need to turn on the "location permission" for the app in the system settings and change it to "allow when using".

2. Q: Will the camera show red lights when night vision is activated?

A: The built-in infrared led make the camera only show some dim red lights when night vision is activated, but the image quality is still clear under no light environment.

3. Q: How far should the device be from the router?

A: After testing, the Wi-Fi connection distance can normally reach up to 220 meters in the open area. However, the actual situation depends on the strength of Wi-Fi and its surrounding environment (thick walls, electromagnetic devices, large metal objects will all cause interference to the Wi-Fi signals). If the camera connection signal is weak or unstable, please place the camera as close to the router as possible.

4. Q: What is the longest recording time?

A: The camera has three working modes.

The default mode is low power consumption mode. When someone passes by, the camera will automatically start recording for 15 seconds. When the person is in the monitoring range, the camera will keep recording. The built-in battery of the camera can work for 6000 wake-ups, and the solar energy supplements 250 wake-ups per hour. In theory, it can be used all the time. The second mode is the adaptive mode. When the battery is above 50%, the camera will record 24 hours. When the power is below 45%, the low-power working mode is turned on. When someone passes by, the camera will automatically start recording for 15 seconds. When the person is in the monitoring range, the camera will keep recording. The third mode is the full-time mode. In this mode, a continuous power supply is required. At full power, if there is no power supply, it can only work for 36 hours.

5. Q: How to check the video playback?

A: Click the video playback button on the homepage of the pull-up control menu, select memory card playback or cloud storage playback.

6. Q: Do I need to always connect my mobile device to any WiFi if I'd like to watch the videos?

A: No, you don't. You can use WLAN or Cellular Data to watch them only if your camera is well connected to your router's WiFi.

7. Q: What will happen when the memory card runs out of space?



A: The oldest footage will be overwritten by the latest one. Please back up the important videos timely or delete the unnecessary videos to release more space. Alternatively, you can subscribe to a cloud plan.

8. Q: What should I do if the WiFi connection failed?

A: Please make sure your camera is connecting to a 2.4GHz WiFi, not a 5GHz WiFi.

Move the camera and your mobile device closer to your router when connecting. Check if the WiFi password you entered was wrong or if there are special symbols in the password.

Make sure the power of your camera is enough and your router did not disconnect power.

9. Q: Why does the camera disconnect to WiFi sometimes?

A: Please check the network connection of your mobile device and the router.

* If the camera can't receive a strong signal, please try to move your router closer to the camera, or use a WiFi extender.

* Make sure the power of your camera is enough and your router is connected to power.

10. Q: How many cameras can I connect to the same account?

A: You can add 50 cameras, but we recommend adding up to 10 devices for a better experience.

11. Q: How many accounts can a camera share with?

A: 8 accounts.

13. About batteries and solar power

This camera adopts advanced low-power technology. If no motion is detected, the camera will enter sleep mode. After being fully charged, if the camera contains a 18000mAh battery, it can be awakened 6000 times by detecting human movement. If it works for 15 seconds at a time and is charged by solar energy, when the sun is full, the replenished power can be used for 300 wakeups per hour.

Tips:

If the camera is woken up frequently or detects the movements of human body for many times, the power of the camera will be consumed quickly. Charging the camera regularly is recommended. The battery in the camera can be charged for 500 times. If we charge the camera once a week, the life span of the battery can extend more than 9 years.

The recommended operating temperature of the camera is 14°F-122°F (-10°C-50°C). Battery performance may drop at low temperatures. At-4°F(-20°C), the battery may drain in short time, or even may not charge. It will work normally as the temperature rises.



13. About batteries and solar power

This camera adopts advanced low-power technology. If no motion is detected, the camera will enter sleep mode. After being fully charged, if the camera contains a 18000mAh battery, it can be awakened 6000 times by detecting human movement. If it works for 15 seconds at a time and is charged by solar energy, when the sun is full, the replenished power can be used for 300 wake-ups per hour.

Tips:

If the camera is woken up frequently or detects the movements of human body for many times, the power of the camera will be consumed quickly. Charging the camera regularly is recommended. The battery in the camera can be charged for 500 times. If we charge the camera once a week, the life span of the battery can extend more than 9 years.

The recommended operating temperature of the camera is 14°F-122°F (-10°C-50°C). Battery performance may drop at low temperatures. At -4°F (-20°C), the battery may drain in short time, or even may not charge. It will work normally as the temperature rises.

Contact us: sales@gaotek.com