



Product Name	GAOTek Wireless Bluetooth Healthcare
Product SKU	GAOTek-SI-107
Product URL	https://gaotek.com/product/gaotek-wireless-bluetooth-healthcare/

Contact us: sales@gaotek.com

Based in New York City & Toronto, GAO Tek Inc. is ranked as one of the top 10 global B2B technology suppliers. GAO ships overnight within the U.S. & Canada & provides top-notch support thanks to its 4 decades of experience.



Contents

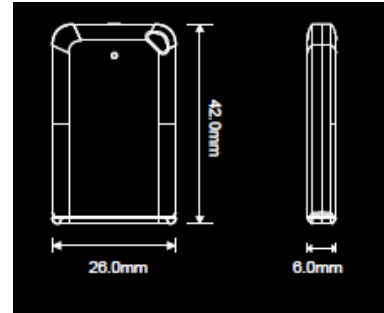
1. Introduction.....	3
2. General Specifications	3
3. Key Selling Points.....	4

GAOTek Wireless Bluetooth Healthcare

1. Introduction

The Tag is a radio transmitter contained in a small, waterproof casing. The tag is fully waterproof to allow for easy cleaning of all assets with the operations of hospital or personal medical equipment.

With a remarkable small profile, the tag can also be affixed easily on small, awkward spaces, such as scopes, infusion pumps or today's more compact equipment in hospital or raw materials in industrial.








It is, therefore, ideal for a number of industries that require asset tracking technology, such as medical, warehouse, logistics and industrial.

2. General Specifications

Connectivity:	BLE 5.0
Dimensions:	40.2 x 28.2 x 6.0 mm
Color:	White
Material:	Nylon
Weight:	15g
IP rating:	IP67
Sensor:	Accelerometer sensor
Battery capacity:	220mAh Replaceable battery
Battery lifespan:	1 year (Location tracking mode) 4 years (Presence monitoring mode)
Operating temperature:	-4 to 140°F
Transmission range:	Up to 160m – 1M PHY (Legacy) Up to 400m – Coded PHY (Long range)
Installation:	Sticker Zip Tie Lanyard
Certification:	FCC CE RoHS REACH Bluetooth



3. Key Selling Points

 Ultra compact	 IP67 waterproof	 Replaceable battery	 Lightweight	 Ultra-long transmission range
--	---	---	---	---

Based in New York City & Toronto, GAO Tek Inc. is ranked as one of the top 10 global B2B technology suppliers. GAO ships overnight within the U.S. & Canada & provides top-notch support thanks to its 4 decades of experience.