



Product Name	Zigbee Ethernet Gateway
Product SKU	GAOTek-ZB-144
Product URL	https://gaotek.com/product/gaotek-zigbee-ethernet-gateway/

Contact us: sales@gaotek.com

Based in New York City & Toronto, GAO Tek Inc. is ranked as one of the top 10 global B2B technology suppliers. GAO ships overnight within the U.S. & Canada & provides top-notch support thanks to its 4 decades of experience.



Content

Index

Safety Handling	3
Technical Specifications	3
Physical Specifications	4
Features	5
Get to know your device	5
Cloud connection indicator	5
Sub-devices indicator	6
System-initiated.....	6
Firmware upgrade	6
ZigBee button.....	7
Reset Button	7
Get Started	7
Installation.....	7
Add sub-devices	8

Based in New York City & Toronto, GAO Tek Inc. is ranked as one of the top 10 global B2B technology suppliers. GAO ships overnight within the U.S. & Canada & provides top-notch support thanks to its 4 decades of experience.



Safety Handling

WARNING: Failure to follow these safety notices could result in fire, electric shock, other injuries, or damage to the gateway and other property. Read all the safety notices below before using the gateway.

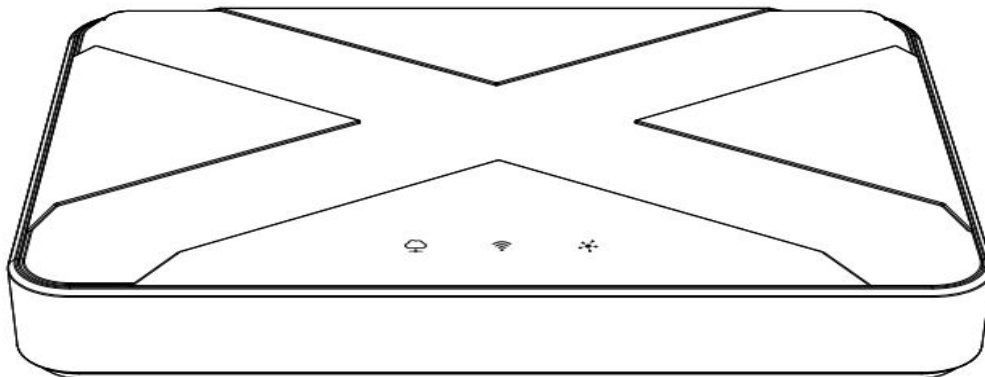
- Avoid high humidity or extreme temperatures.
- Avoid long exposure to direct sunlight or strong ultraviolet light.
- Do not drop or expose the unit to intense vibration.
- Do not disassemble or try to repair the unit on your own.
- Do not expose the unit or its accessories to flammable liquids, gases or other explosives.
- Do not use harsh chemicals or strong detergents to clean it.
- Do not place it where infants and young children can touch it, children should use it under parental supervision.
- Do not touch it when powering on to ensure your safety.

Connectivity

Ethernet RJ45 Port	<ul style="list-style-type: none">• 10/100M bps• Auto MDIX
ZigBee	<ul style="list-style-type: none">• 2.4GHz IEEE 802.15.4
ZigBee Profile	<ul style="list-style-type: none">• ZigBee 3.0
RF Characteristics	<ul style="list-style-type: none">• Operating frequency: 2.4 GHz• Internal PCB Antenna• Range outdoor: 100m (open area)

Operating Voltage	<ul style="list-style-type: none"> • Micro-USB DC5V/2A
Operating environment	<ul style="list-style-type: none"> • Temperature: -20 °C~+55 °C • Humidity: ≤ 90% non-condensing
Dimensions	<ul style="list-style-type: none"> • 91.5(W) x 133 (L) x 28.2(H) mm
Mounting Type	<ul style="list-style-type: none"> • Tabletop stand or Wall mounting

The Smart Gateway acts as a central platform for your smart home system. It allows you to add ZigBee devices into the system. Automatic control, schedule, scene, remote monitoring, and control for ZigBee devices can enrich your IoT experience. This guide will provide you with an overview of the product and help you get through the initial setup.



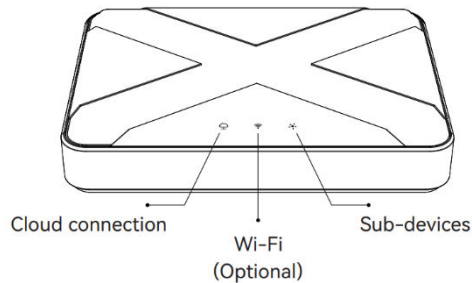
Based in New York City & Toronto, GAO Tek Inc. is ranked as one of the top 10 global B2B technology suppliers. GAO ships overnight within the U.S. & Canada & provides top-notch support thanks to its 4 decades of experience.

Features

1. ZigBee 3.0
2. Stable internet connection via Ethernet
3. ZigBee coordinator of the home area network and provide a stable ZigBee connection
4. Built-in buzzer
5. Local linkage, scenes, schedules
6. Support backup & transfer to replace gateway

Get to know your device

① Indicator



LED Color	Status	What it means
Green	Always-on	Connected to the cloud Successfully
Orange	Flashes slowly	Failed to connect to the cloud
	Always-on	In configuration mode

Based in New York City & Toronto, GAO Tek Inc. is ranked as one of the top 10 global B2B technology suppliers. GAO ships overnight within the U.S. & Canada & provides top-notch support thanks to its 4 decades of experience.

LED Status	What it means
Flashes rapidly	Allow sub-devices to join the gateway

Sub-devices indicator

The status gives the following information:

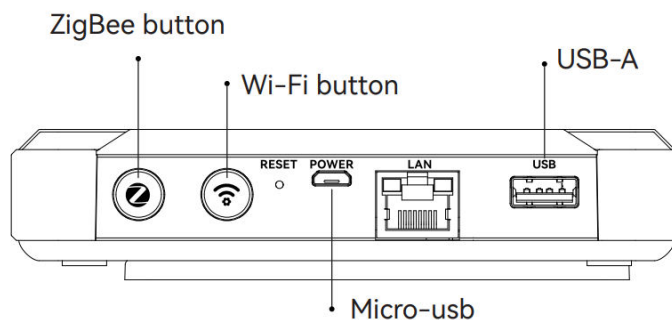
System-initiated

After you reset the gateway or when it is powered on, the Cloud connection indicator and the Wi-Fi / Sub-devices indicator will be always-on at the same time.

Firmware upgrade

When the gateway firmware is upgrading, the Cloud connection indicator and the Wi-Fi / Sub-devices indicator will flash slowly at the same time.

② Button





ZigBee button

Permit join: Press and hold it for 2 seconds until the Sub-devices indicator flashes rapidly to allow sub-devices to join the gateway which will last 2 min, you can hold it again for 2 seconds to exit it.

Reset Button

Reset: Press and hold the reset button for 10 seconds until the buzzer beeps to restore the gateway to the default factory setting.

③ Buzzer

The gateway has a built-in buzzer, the status gives the following information:

Status	What it means
One long beep	Reset the gateway
Beep twice quickly	In configuration mode
Beep twice evenly	Sub-device successfully joined the gateway

Get Started

Installation

1. The gateway needs a power supply and Ethernet connection, so please find a suitable position to install. You can mount the gateway on the wall using its wall bracket or put it on a flat surface.
2. Once the best position has been identified, insert the micro-USB cable into the POWER port and connect it to the power supply.

Based in New York City & Toronto, GAO Tek Inc. is ranked as one of the top 10 global B2B technology suppliers. GAO ships overnight within the U.S. & Canada & provides top-notch support thanks to its 4 decades of experience.



3. Connect the LAN port on the gateway with the LAN port on your router through the network cable, then wait for the cloud connection indicator on the gateway to turn green, which means the gateway has successfully connected to the cloud.

4. After that, open the app and follow the instructions to add a gateway.

Add sub-devices

Please refer to the manual of your sub-device for the adding operation, then enable the permit to join on the gateway. When the sub-device successfully joins the gateway, the buzzer will beep twice evenly.